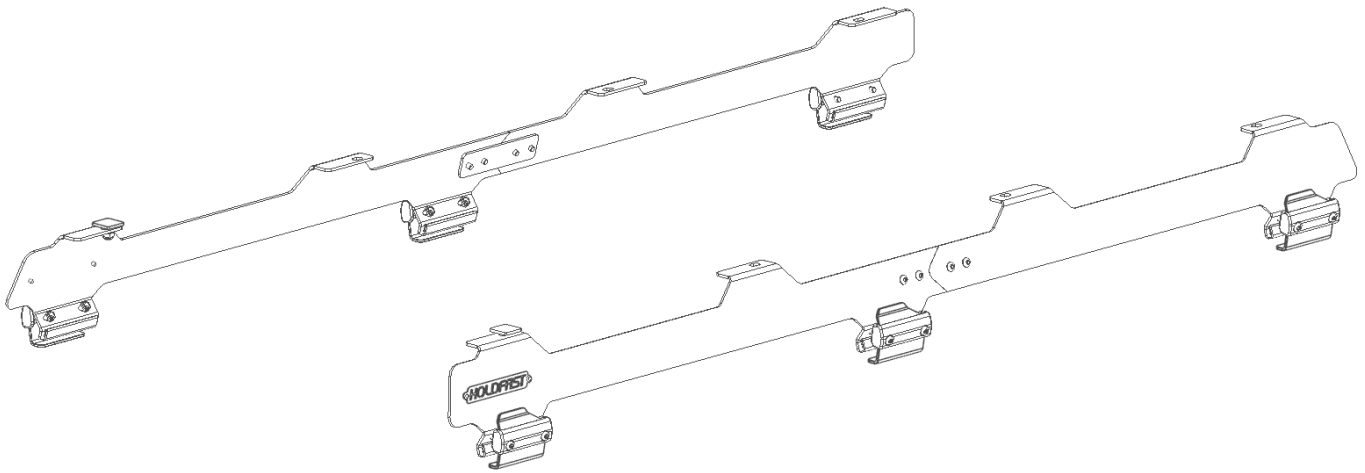


ADVENTURE RACK CLAMPIG KIT

ENG

SUZUKI JIMNY (2018-CURRENT) 4TH GEN

Important Note: Please follow these instructions carefully.
Holdfast may not be held liable for any damage caused by incorrect installation of this product.



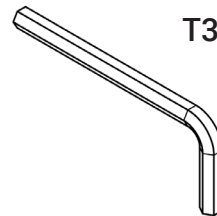
WARNING! HOLDFAST ADVENTURE RACKS USUALLY HAVE A HIGHER LOAD RATING THAN THE VEHICLES ROOFS TO WHICH IT IS MOUNTED TO. PLEASE REFER TO THE MANUFACTURERS SPECIFICATION BEFORE LOADING THE RACK. HOLDFAST CAN NOT BE HELD RESPONSIBLE FOR ANY IMPROPER LOADING ABOVE THE MANUFACTURE SPECIFIED LOAD CAPACITY.

HOLDFAST

WHATS IN THE BOX

1	26mm M8x16 SQ HEAD BOLT	8
2	STANDARD 8mm WASHER	8
3	M8 NYLOC NUT	8
4	FOOT CLAMP	6
5	NYLON CLAMP COVER	6
6	6mm WASHER SS	12
7	M6x35 TORXS BUTTON SS	12

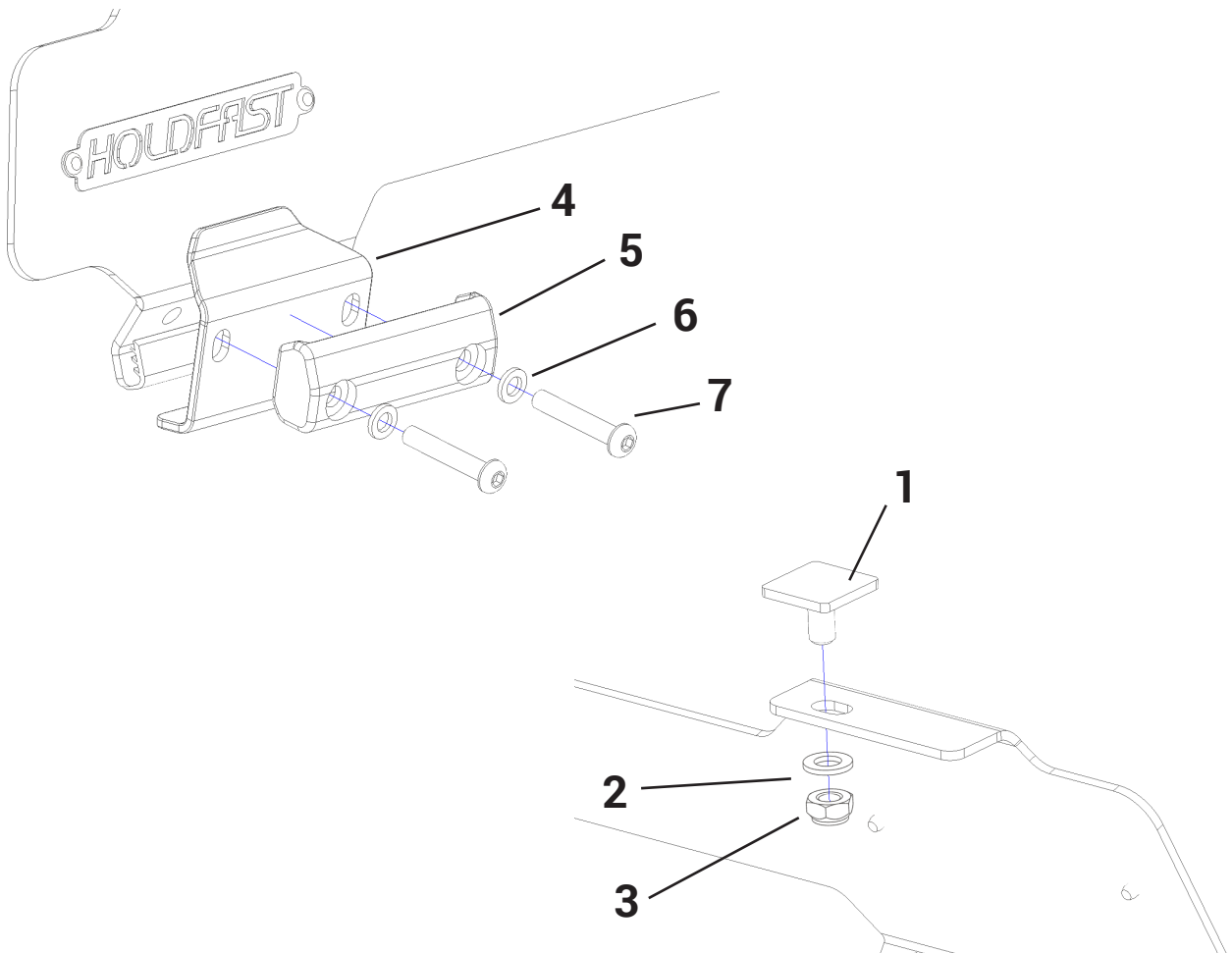
TOOLS REQUIRED



T30 TORX KEY



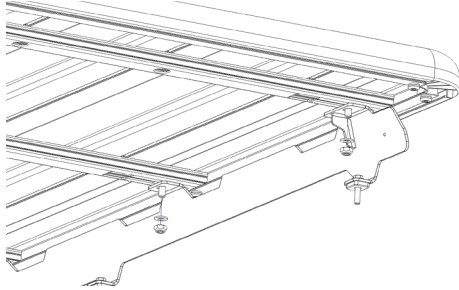
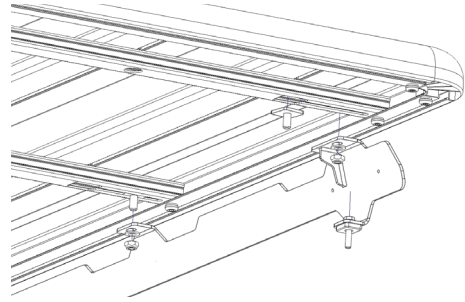
13mm SPANNER



STEP 1

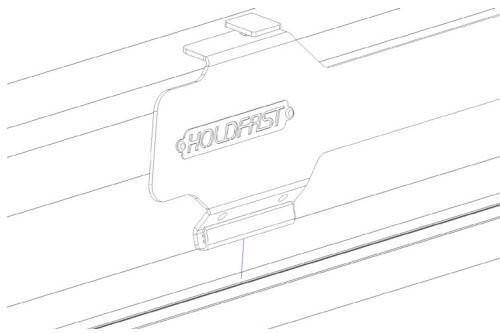
SLIDE THE 26mm SQ HEAD BOLTS INTO THE PLATFORM CROSS BARS.

DROP THE ADVENTURE RACK ONTO THE CLAMPS



PLACE THE 8mm WASHER AND M8 NYLOC NUT ONTO THE SQ HEADED BOLT

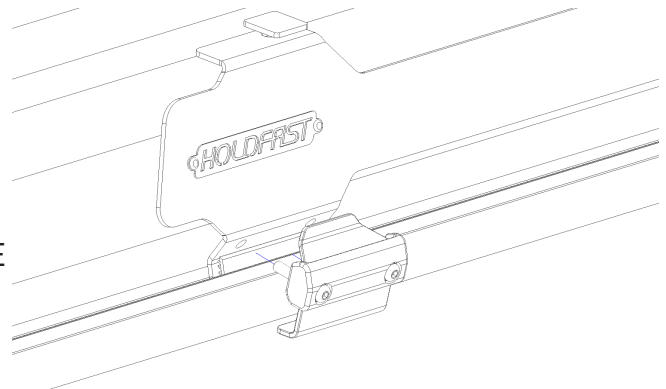
STEP 2



PLACE RACK ONTO THE VEHICLE CHANNELS

SUB ASSEMBLE THE CLAMPS TO MAKE THE INSTALLION EASIER

ALTERNATE TIGHTENING BETWEEN THE TWO SCREWS



NOTE: BEFORE TIGHTEN ALL THE BOTS AND SCREWS, MAKE SURE THE RACKS IS CENTRED ON THE CAR AND YOU CAN OPEN ALL THE DOORS.